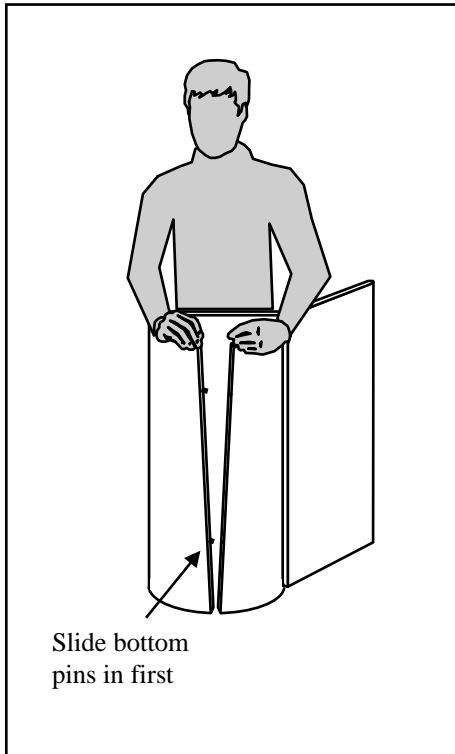
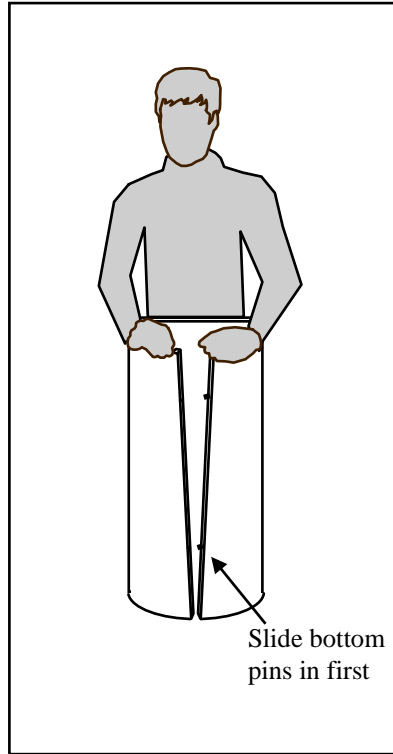


Curved Counter Set-up Instructions



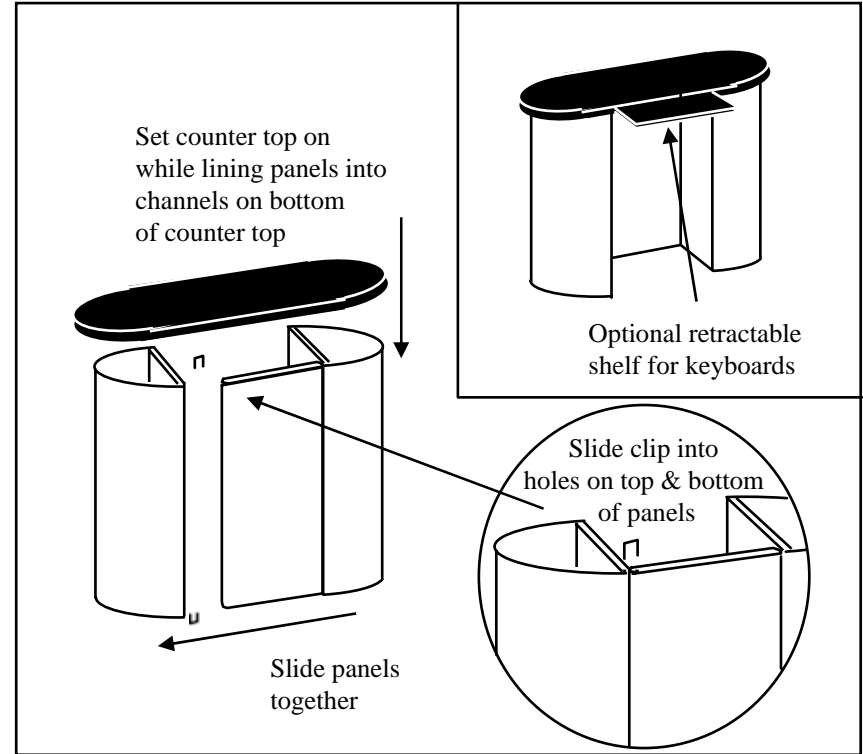
1.

Stand section with wing panel on the floor and from the rear connect the flexible panels by guiding the pins into the receiving holes (align bottom hole then top).



2.

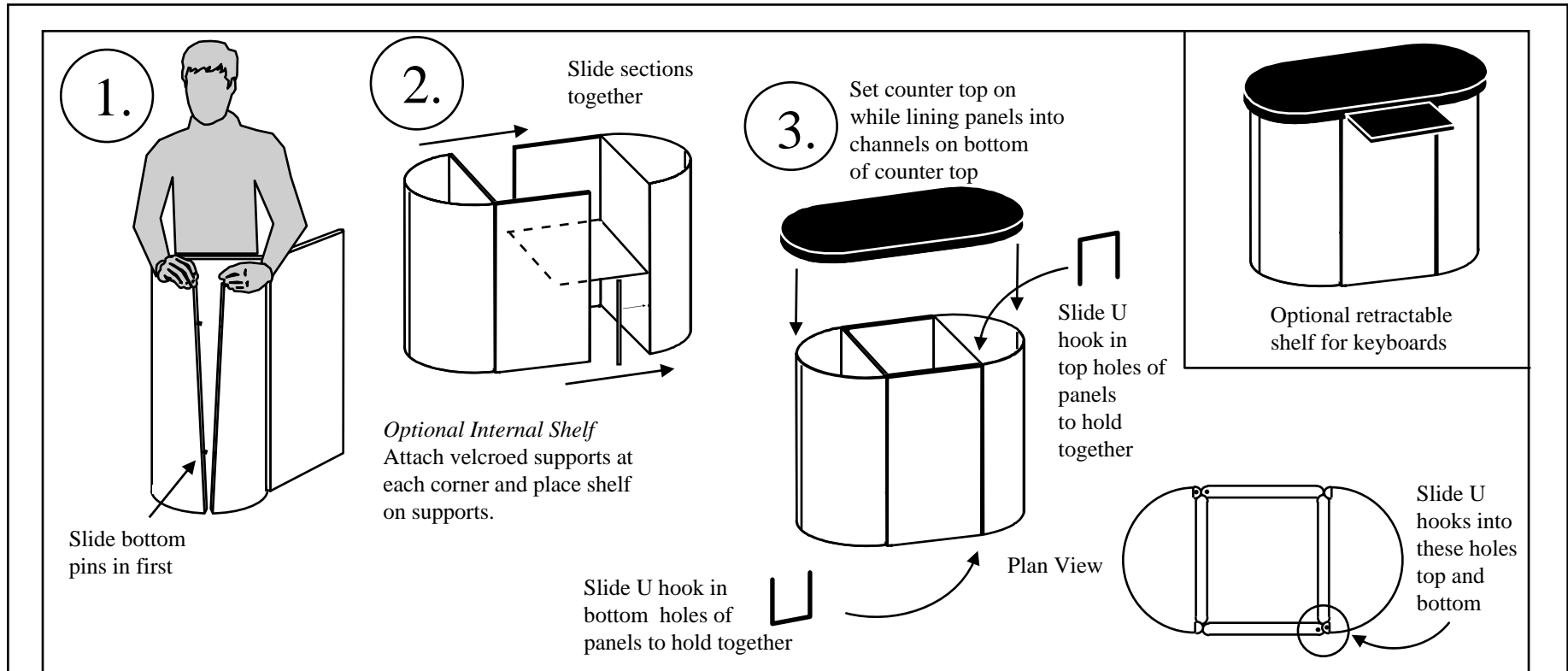
Repeat step one with panel section without wing panel.



3.

Slide panel sections together. Slide U shaped clip into holes on top & bottom of panels to hold together. Then lay counter top on panels. Adjust counter top by lining panels into channels on bottom of counter top. Use hinged panel tie to further stiffen unit if needed.

Curved Counter (fully enclosed) Set-up Instructions



1.

Stand section with wing panel on the floor and from the rear connect the flexible panels by guiding the pins into the receiving holes (align bottom hole then top).

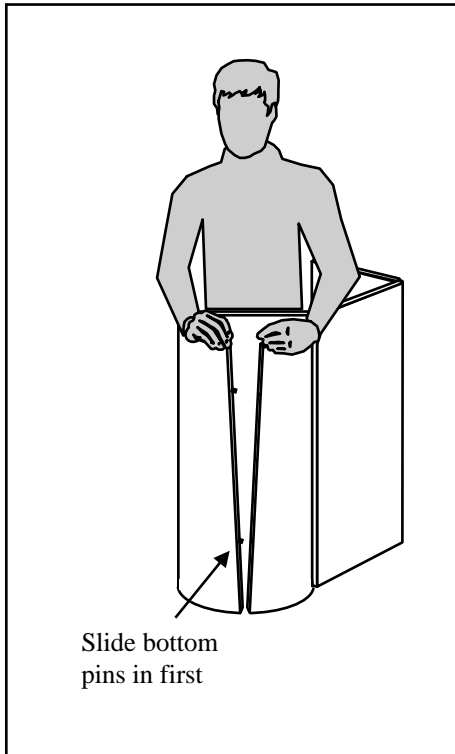
2.

Repeat step one with second set of panels and then slide sections together.

3.

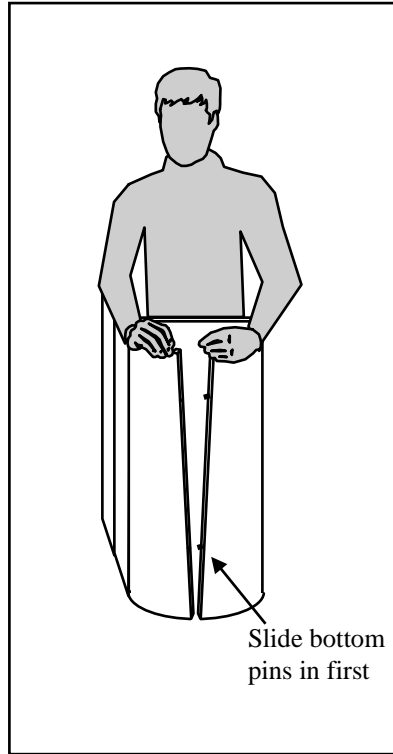
Slide U shaped hooks into holes as shown, top and bottom to hold unit together. Then lay the counter top on panels. Adjust counter top by lining panels into channels on the bottom of counter top.

Curved Counter Set-up Instructions



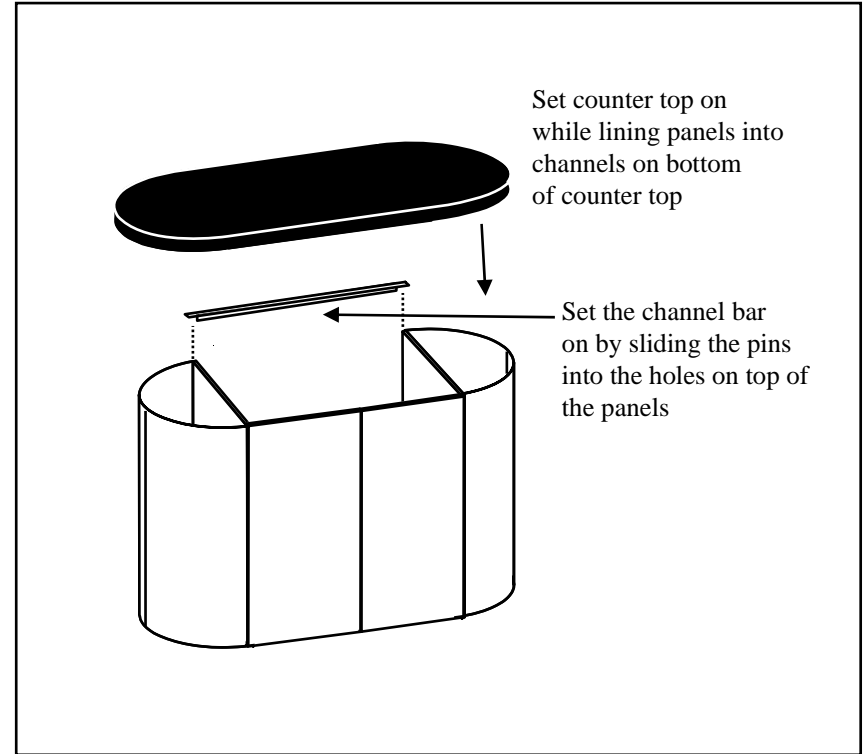
1.

Stand panel sections on the floor and from the rear connect the flexible panels by guiding the pins into the receiving holes (align bottom hole then top).



2.

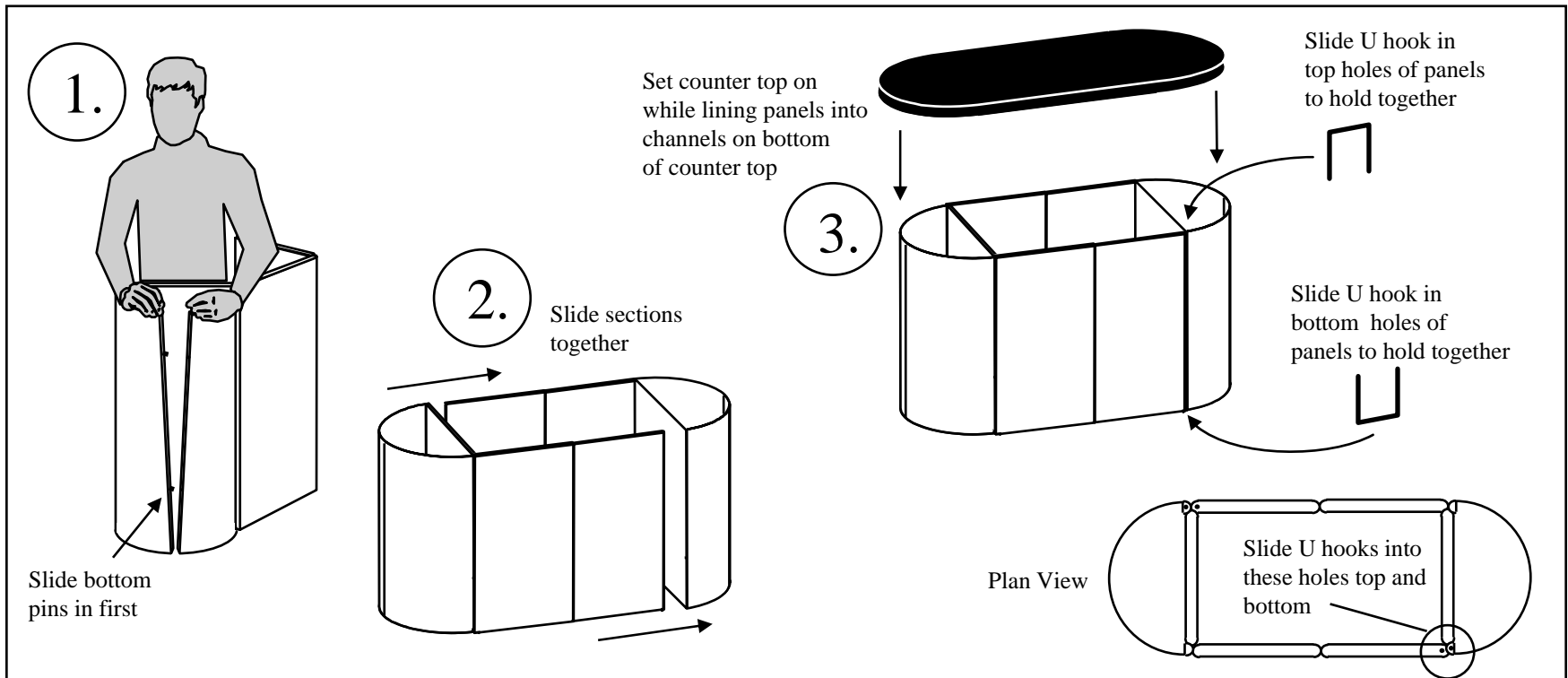
Repeat step one with flexible panels on opposite end.



3.

Add the channel bar between the side panels by sliding the pins on each end of the bar into the holes on top. Lay the counter top on panels. Adjust counter top by lining panels into channels on bottom of counter top.

Curved Counter (fully enclosed) Set-up Instructions



1.

Stand panel sections on the floor and from the rear connect the flexible panels by guiding the pins into the receiving holes (align bottom hole then top).

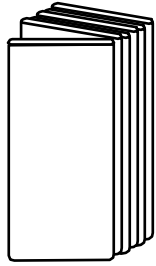
2.

Repeat step one with second set of panels and then slide sections together.

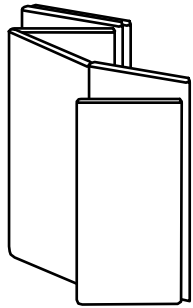
3.

Slide U shaped hooks into holes as shown, top and bottom to hold unit together. Then lay the counter top on panels. Adjust counter top by lining panels into channels on the bottom of counter top.

6 Panel Counter Set-up Instructions

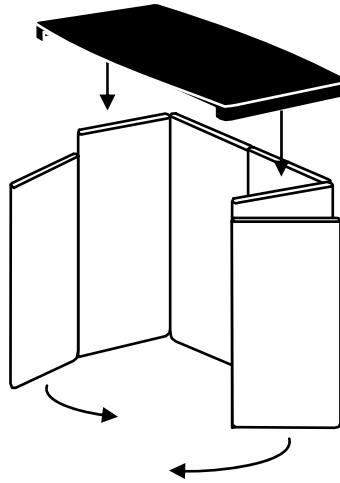


Stand panels up

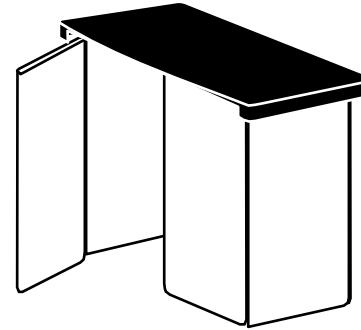


Configure panels into 4-sided box

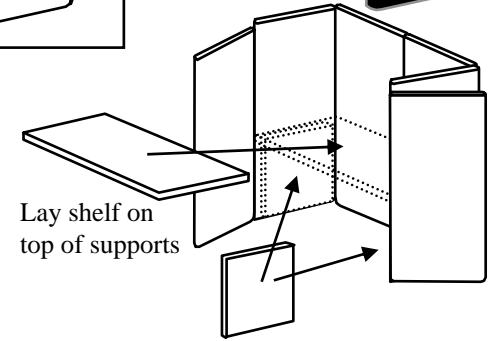
Set counter top on top of panels with cut out side to the back, while lining panels into channels on bottom of counter top



Swing shorter cut panels meet in back. and are used as doors



Optional shelf



Lay shelf on top of supports

Install support on left & right sides

OPTIONAL SHELF

Attach shelf supports to inside of left and right side panels with Velcro sides toward panels. Lay shelf on top of supports. Then set counter top on as shown in instruction 2.

1.

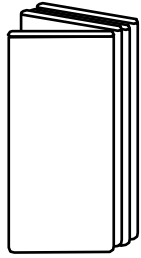
Stand panels on the floor and open panels into 4-sided box with shorter panels meeting in back.

2.

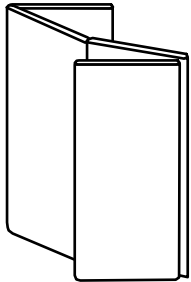
*If shelving unit is included, go to **OPTIONAL SHELF** directions.*

Set counter top on with cut out to the back where panels meet, while lining panels into channels on bottom of counter top.

4 Panel Counter Set-up Instructions

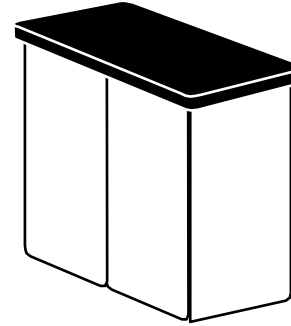
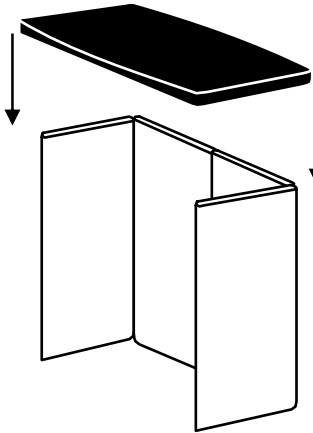


Stand panels up

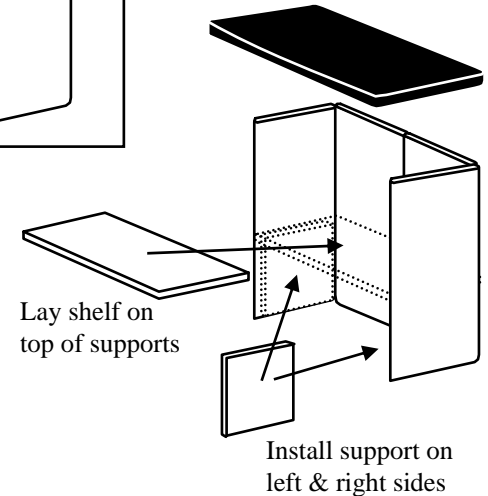


Configure panels into 3-sided U shape

Set counter top on top of panels while lining panels into channels on bottom of counter top



Optional Shelf



Lay shelf on top of supports

Install support on left & right sides

1.

Stand panels on the floor and open panels into 3-sided U shape.

2.

*If shelving unit is included, go to **OPTIONAL SHELF** directions.*

Set counter top on top of panels while lining panels into channels on bottom of counter top.

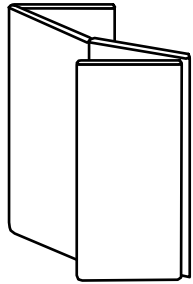
OPTIONAL SHELF

Attach shelf supports to inside of left and right side panels with Velcro sides toward panels. Lay shelf on top of supports. Then set counter top on as shown in instruction 2.

4 Panel Pedestal Set-up Instructions



Stand panels up

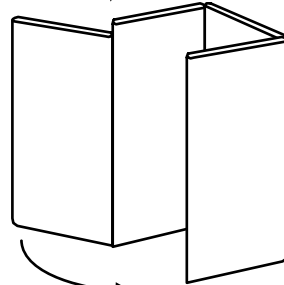


Configure panels into 4-sided box

1.

Stand panels on the floor and open panels into 4-sided box

Set counter top on top of panels while lining panels into channels on bottom of counter top

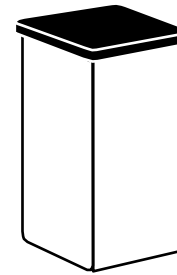


Swing shorter cut panel in back and use as door

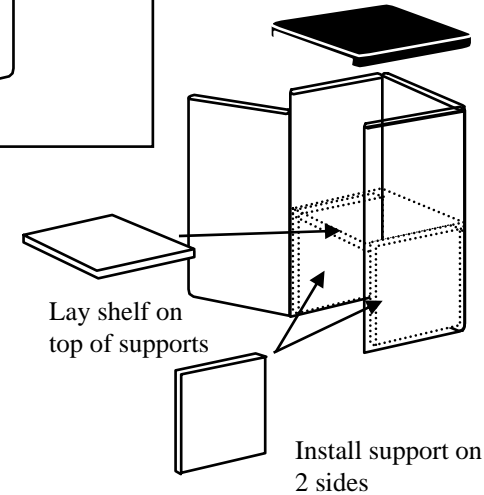
2.

*If shelving unit is included, go to **OPTIONAL SHELF** directions.*

Set counter top on with cut out to the back where panels meet, while lining panels into channels on bottom of counter top.

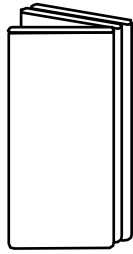


Optional Shelf

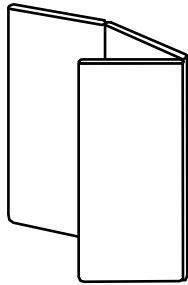
**OPTIONAL SHELF**

Attach shelf supports to inside of left and right side panels with Velcro sides toward panels. Lay shelf on top of supports. Then set counter top on as shown in instruction 2.

3 Panel Pedestal Set-up Instructions



Stand panels up



Configure panels into 3-sided U shape

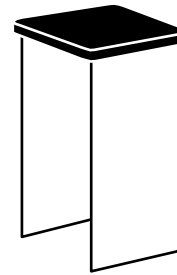
1.

Stand panels on the floor and open panels into 3-sided U shape.

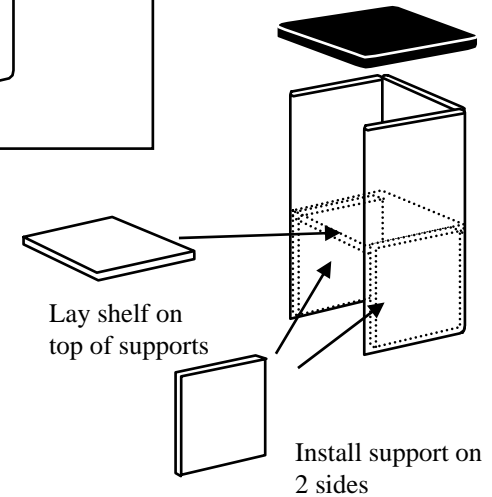
2.

*If shelving unit is included, go to **OPTIONAL SHELF** directions.*

Set counter top on while lining panels into channels on bottom of counter top.



Optional Shelf



OPTIONAL SHELF

Attach shelf supports to inside of left and right side panels with Velcro sides toward panels. Lay shelf on top of supports. Then set counter top on as shown in instruction 2.